

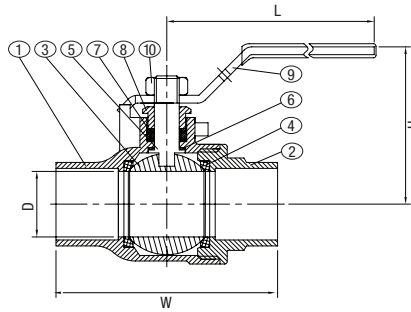
620 Series | Bronze Ball Valve

Bronze Body | Full Port | Two-Piece | SS Ball & Stem

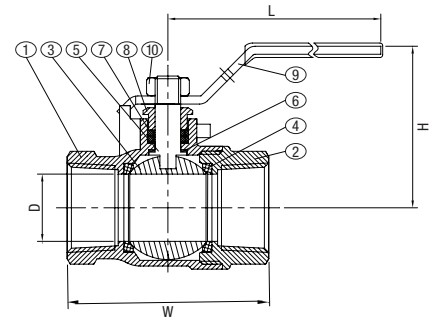
(T/S)FP620-SS



Solder (C x C)



Threaded (NPT x NPT)



(T/S)FP620-SS Product Description

620 series multi-purpose forged shut-off valve for use in engineered hot and cold water systems.

Working Pressure

- 600 PSI Non-Shock Cold Working Pressure (CWP)

End Connection

- Solder
- Threaded (NPT)

Standard

- Conforms to MSS SP-110

DIMENSIONS

SIZE DN		D		W				H		L	
				THREADED ENDS		SOLDER ENDS					
mm	inch	mm	inch	mm	inch	mm	inch	mm	inch	mm	inch
8	1/4"	9.5	0.37	47.5	1.87	40	1.57	37	1.46	80	3.15
10	3/8"	9.5	0.37	47.5	1.87	40	1.57	37	1.46	80	3.15
15	1/2"	12.7	0.50	54.7	2.15	53	2.09	50	1.96	92.5	3.64
20	3/4"	19	0.75	61.6	2.43	72	2.83	54	2.13	92.5	3.64
25	1"	25	0.98	74.6	2.94	87.6	3.45	63.6	2.50	111.5	4.39
32	1 1/4"	30.5	1.20	84.8	3.32	98.2	3.87	67.6	2.66	111.5	4.39
40	1 1/2"	38	1.50	92.2	3.64	113.2	4.46	79.8	3.14	155	6.10
50	2"	50	1.07	106.1	4.18	140	5.51	89.4	3.52	155	6.10

MATERIAL SPECIFICATIONS

NO.	PART NAME	MATERIAL	STANDARD
1	Body	Bronze	ASTM B584 C84400
2	End Cap	Bronze	ASTM B584 C84400
3	Ball	Stainless Steel	ASTM A276 TYPE 316
4	Seat	PTFE	-
5	Stem	Stainless Steel	ASTM A276 TYPE 316
6	Thrust Washer	PTFE	-
7	Stem Packing	PTFE	-
8	Gland	Copper Alloy	-
9	Handle	Carbon Steel Plated	-
10	Nut	Carbon Steel Plated	-

CRN

© 2018 NCI Canada Inc., Oakville, ON, Canada. All rights reserved. All valves information and its contents hereof are proprietary to NCI Canada Inc. Any unauthorized reproduction or disclosure, in whole or in part is strictly prohibited. All valves materials, images and data sheets in this catalogue / brochure is for general information and shall not be used for specific performance data and material selection without first consulting with NCI Canada Inc. NCI Canada reserves the right to change the enclosed valves information without notice. NCI Canada does not accept any liability or damages arising from the use of any valve information within this document. All trademarks and registered trademarks are owned by their respective companies.