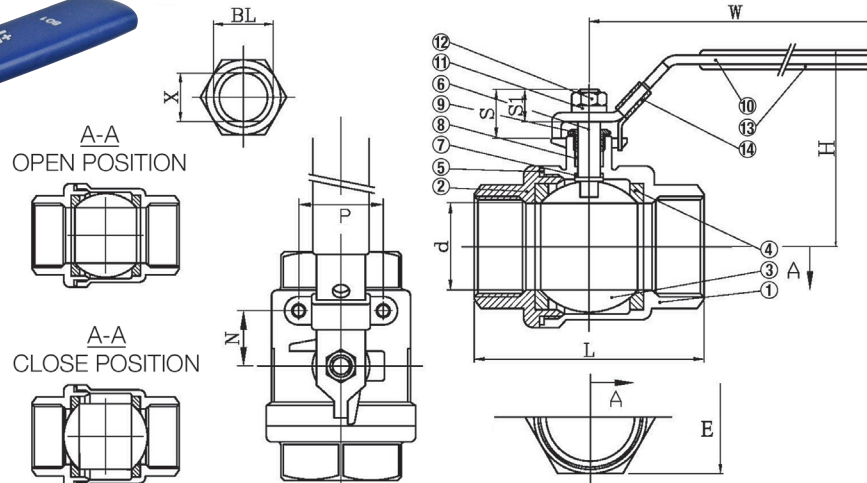
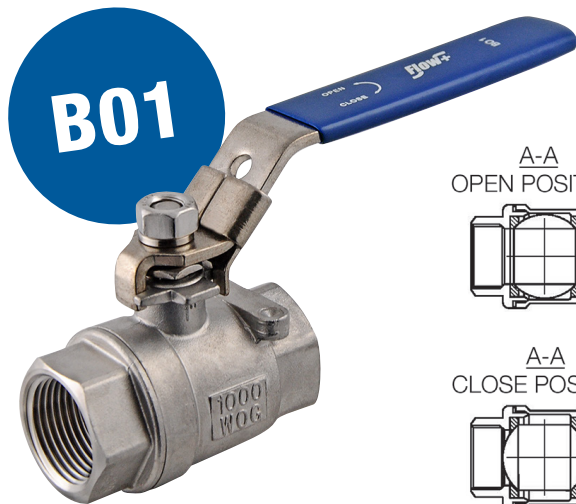


# 2-PC Full Port SS 1000 PSI Ball Valve

Pressure Rating: 1000 psi (69 bar) WOG for 1/4" to 2"



- Investment cast body and ends
- Blow-out proof stem
- Full port
- FNPT threaded on both ends
- Material: ASTM A351-CF8M
- NACE MR0175
- Locking handle

Size	dia (mm)	L	H	W	S	S1	X	N	P	BL	Torque (in-lbs)	CV Factor	Kg
1/4"	11.6	50	48	91	16.5	10.2	5	12.5	28.5	5/16"	35	7	0.21
3/8"	12.5	50	48	91	16.5	10.2	5	12.5	28.5	5/16"	35	7	0.22
1/2"	15	60	52	91	16.5	10.2	5	12.5	28.5	5/16"	47	15	0.29
3/4"	20	65	61	111	20	13.5	6.5	21	34.8	3/8"	64	45	0.42
1"	25	80	65	111	23.5	16	8	22.5	34.8	7/16"	90	65	0.71
1 1/4"	32	92	79	154	23.5	16	8	23.5	38.1	7/16"	117	125	1.06
1 1/2"	38	105	83	154	25.5	17	9	23.5	38.1	1/2"	156	175	1.68
2"	50	125	97	192	25.5	17	9	23.5	38.1	1/2"	217	380	2.71

No.	Part (Qty)	Material
1.	Body (1)	ASTM-CF8M-A351
2.	End (1)	ASTM-CF8M-A351
3.	Ball (1)	ASTM-CF8M-A351
4.	Ball Seat (2)	15% R-PTFE
5.	Joint Gasket (1)	PTFE
6.	Stem (1)	AISI 316
7.	Thrust Washer (1)	PTFE
8.	Stem Packing (2)	PTFE
9.	Gland Nut (1)	AISI 304
10.	Handle (1)	AISI 304
11.	Spring Washer (1)	AISI 304
12.	Stem Nut (1)	AISI 304
13.	Handle Sleeve (1)	Vinyl Grip
14.	Lock Device (1)	AISI 430

