

# ZF6 – 600# Full Port Carbon Steel and Low Temp

## SPECIFICATIONS

- Fire-safe to API-607, latest Ed.
- Designed to ASME/ANSI Class 600-B16.34
- Face to Face to ASME/ANSI B16.10 Long Pattern
- Flanges to ASME/ANSI B16.5
- NACE MR0175
- Design Standard per API 608
- Markings per MSS-SP25
- Pressure Test per API 598

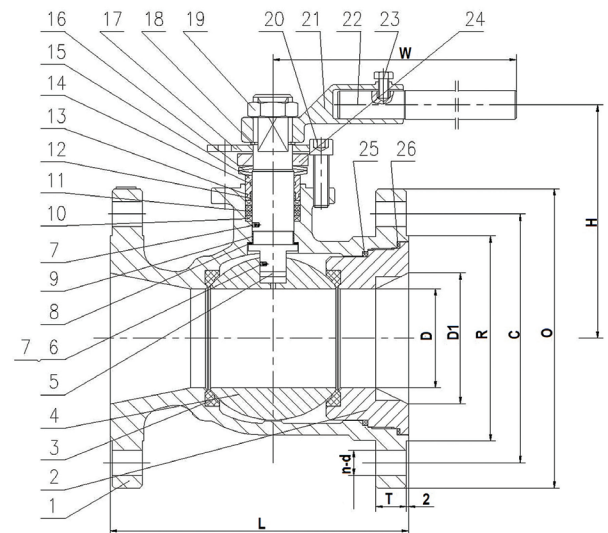
## FEATURES

- Full bore, 2 piece split body floating ball
- ISO mounting pad
- Blow-out proof stem
- Anti-static device
- Lever operated



### LEVER PARTS LIST

No.	Part	WCB BODY	LCC BODY
1.	Body	A216 WCB	A352 LCC
2.	End	A216 WCB	A352 LCC
3.	Ball	A182 F316	A182 F316
4.	Stem	A182 F316	A182 F316
5.	Seat	Nylon	Nylon
6.	Body Gasket	304 Graphite Spiral Wound	304 Graphite Spiral Wound
7.	Nut	A194-2HM	A194-2HM
8.	Full-threaded Bolt	A193-B7M	A320 L7M
9.	Stem Gasket	PTFE	PTFE
10.	Stem Bearing	PTFE	PTFE
11.	Steel Ball	A276 304	A276 304
12.	Anti-static Spring	A276 304	A276 304
13.	Stem Firesafe Gasket I	Flexible Graphite + 316	Flexible Graphite + 316
14.	Stem Firesafe Gasket II	Flexible Graphite	Flexible Graphite
15.	Packing Gland Bearing	PTFE	PTFE
16.	Lever	AISI 1020	AISI 1020
17.	Screw	A193-B7M	A320 L7M
18.	Hex Bolt	A193-B7M	SS
19.	Joint	A216 WCB	A352 LCC
20.	Nut	AISI 1020	AISI 1020
21.	Axial Retaining Ring	AISI 1566	AISI 1566
22.	Limit Block	A36	A36
23.	Nut	AISI 1020	AISI 1020
24.	Belleville Washer	A276 304	A276 304
25.	O-Ring	Viton	Viton
26.	O-Ring	Viton	Viton
27.	Packing Bushing	A276 316	A276 316



Size	L	D	R	C	O	n-d	T	W	H	WT	Torque		CV
											600 PSI	1440 PSI	
2"	11.5"	1.97"	3.625"	5"	6.5"	8-0.75"	1"	17"	6.14"	42 lb	841 in lb	1682 in lb	450
50	292	50	92.1	127	165	8-19	25.4	432	156	19 kg	95 Nm	190 Nm	
3"	14"	2.95"	5"	6.62"	8.26"	8-0.885"	1.25"	21.65"	8.22"	99 lb	2080 in lb	4071 in lb	1100
76	356	75	127	168.3	210	8-22.5	31.8	550	309	45 kg	235 Nm	460 Nm	
4"	17"	3.98"	6.19"	8.5"	10.82"	8-1"	1.5"	33.46"	11.02"	167 lb	2567 in lb	5089 in lb	2200
102	432	101	157.2	215.9	275	8-22.5	38.1	850	280	76 kg	290 Nm	575 Nm	