

ZR3 – 300# Reg. Port Carbon Steel and Low Temp

SPECIFICATIONS

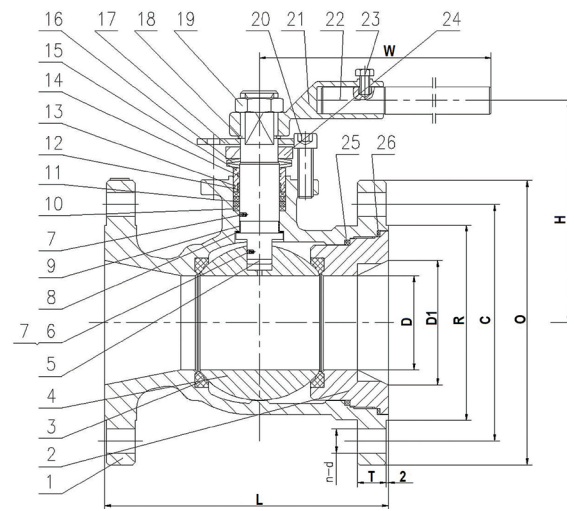
- Fire-safe to API-607, latest Ed.
- Designed to ASME/ANSI Class 300-B16.34
- Face to Face to ASME/ANSI B16.10 Short Pattern
- NACE MR0175
- Design Standard per API 608
- Markings per MSS-SP25
- Pressure Test per API 598

FEATURES

- Reduce bore, 1 piece uni-body floating ball
- ISO mounting pad
- Blow-out proof stem
- Cavity relieving seats, anti-static device
- Lever operated



No. Part	WCB BODY	LCC BODY
1. Body	A216 WCB	A352 LCC
2. End	A216 WCB	A352 LCC
3. Seat	R-PTFE	R-PTFE
4. Ball	A182 F316	A182 F316
5. Stem	A182 F316	A182 F316
6. Stem Steel Ball	A276 304	A276 304
7. Spring	A276 304	A276 304
8. Stem Gasket	PTFE	PTFE
9. Stem Bearing	PTFE	PTFE
10. Stem Firesafe Gasket I	Flexible Graphite + 316	Flexible Graphite + 316
11. Stem Firesafe Gasket II	Flexible Graphite	Flexible Graphite
12. Packing Bushing Bearing	PTFE	PTFE
13. O-Ring	Viton	Viton
14. O-Ring	Viton	Viton
15. Packing Bushing	A276 316	A276 316
16. Belleville Washer	A276 304	A276 304
17. Limit Block	A36	A36
18. Axial Retaining Ring	AISI 1566	AISI 1566
19. Nut	SS	SS
20. Screw	A193 B7M	AZ320 L7M
21. Joint	A216 WCB	A216 LCC
22. Lever	AISI 1020	AISI 1020
23. Hex Bolt	CS	CS
24. Nut	SS	SS
25. Gasket	PTFE	PTFE
26. Gasket	Flexible Graphite + 316SS	Flexible Graphite + 316SS



Size	L	D	D1	R	C	O	n-d	T	W	H	WT	Torque		CV
												300 PSI	740 PSI	
2" x 1½" 50 x 38	8.5"	1.46"	1.97"	3.625"	5"	6.5"	8-0.75"	0.814"	9.53"	5.4"	33 lb	575 in lb	841 in lb	130
	216	37	50	92.1	127	165	8-19	20.7	242	137	15 kg	65 Nm	95 Nm	
3" x 2" 76 x 50	11.1"	1.97"	2.95"	5"	6.62"	8.26"	8-0.885"	1.06"	9.53"	6.575"	69 lb	664 in lb	974 in lb	350
	283	50	75	127	168.3	210	8-22.5	27	242	167	31.2 kg	75 Nm	110 Nm	
4" x 3" 102 x 76	12"	2.95"	3.98"	6.19"	7.87"	10.04"	8-0.885"	1.19"	13.78"	8.07"	126 lb	1415 in lb	2478 in lb	720
	305	75	101	157.2	200	255	8-22.5	30.2	350	205	57 kg	160 Nm	280 Nm	
6" x 4" 152 x 102	15.87"	3.98"	5.94"	8.5"	10.625"	12.6"	12-0.885"	1.38"	18.11"	8.66"	183 lb	2301 in lb	3540 in lb	1020
	403	101	151	215.9	269.9	320	12-22.5	35	460	220	83 kg	260 Nm	400 Nm	