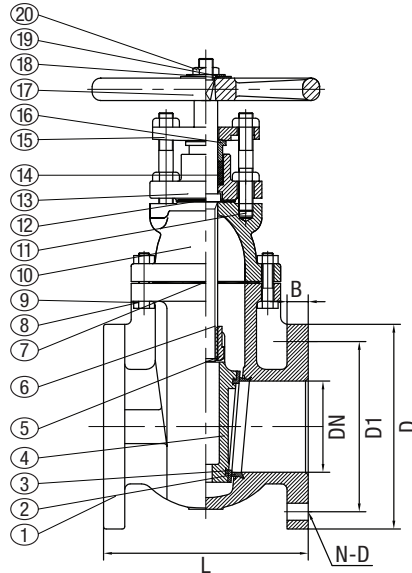


# Class 125 | Cast Iron Gate Valve

Cast Iron Body | Flanged Ends | Non-Rising Stem

# GTVB-FCI1333-HW



### MATERIAL SPECIFICATIONS

NO.	PART NAME	MATERIAL	STANDARD
1	Body	Cast Iron	ASTM A126 B
2	Seat Ring	Cast Bronze	ASTM B62
3	Wedge Seat Ring	Cast Bronze	ASTM B62
4	Wedge	Cast Iron	ASTM A126 B
5	Stem Nut	Cast Brass	ASTM B16
6	Stem	Brass	ASTM B16
7	Body Gasket	Graphite	NON ASBESTOS
8	Bolts	Steel	ASTM A307 B
9	Nuts	Steel	ASTM A307 B
10	Bonnet	Cast Iron	ASTM A126 B
11	Gland Follower Bolt	Steel	ASTM A307 B
12	Stuffing Box Gasket	Graphite	NON ASBESTOS
13	Stuffing Box	Cast Iron	ASTM A126 B
14	Packing	Graphite	NON ASBESTOS
15	Packing Gland	Cast Brass	ASTM B16
16	Gland Follower	Ductile Iron	ASTM A536
17	Handwheel	Cast Iron	ASTM A126 B
18	Identification Plate	Aluminum	COMMERCIAL
19	Washer	Steel	ASTM A307 B
20	Nut	Steel	ASTM A307 B

### GTVB-FCI1333-HW Product Description

Class 125 rated (200 CWP) iron body gate valve with flanged ends. Our non-rising stem gate valves are bolted bonnet with a non-rising stem design. Solid wedge iron body gate valve is bronze mounted.

### Working Pressure

- 125S, 200 WOG
- 2"-12" 200 PSI
- 14"-24" 150 PSI

### Face to Face Dimensions

- Conforms to ANSI B16.10 (125 Lb).

### Standard

- Conforms to MSS SP-70

SIZE DN	mm	51	63.5	76	102	127	152	203	254	305	356	406	457	508	610
	inch	2	2 ½	3	4	5	6	8	10	12	14	16	18	20	24
L	mm	177.8	190.5	203.2	228.6	254.0	266.7	292.1	330.2	355.6	381.0	406.0	432.0	457.0	508.0
	inch	7.00	7.50	8.00	9.00	10.00	10.50	11.50	13.00	14.00	15.00	15.98	17.01	17.99	20.00
D	mm	152.0	178.0	191.0	229.0	254.0	279.0	343.0	406.0	483.0	533.0	597.0	635.0	699.0	813.0
	inch	5.98	7.01	7.52	9.02	10.00	10.98	13.50	15.98	19.02	20.98	23.50	25.00	27.52	32.01
D1	mm	120.70	139.70	152.40	190.50	215.90	241.30	298.50	362.00	431.80	476.30	539.80	577.90	635.00	749.30
	inch	4.75	5.50	6.00	7.50	8.50	9.50	11.75	14.25	17.00	18.75	21.25	22.75	25.00	29.50
B	mm	15.80	17.50	19.00	23.90	23.90	25.40	28.50	30.20	31.80	35.00	36.60	39.70	42.90	47.70
	inch	0.62	0.69	0.75	0.94	0.94	1.00	1.12	1.19	1.25	1.38	1.44	1.56	1.69	1.88
N-D	mm	4-19	4-19	4-19	8-19	8-22	8-22	8-22	12-25	12-25	12-29	16-29	16-32	20-32	20-35
	inch	4-0.75	4-0.75	4-0.75	8-0.75	8-0.875	8-0.875	8-0.875	12-1	12-1	12-1.125	16-1.125	16-1.25	20-1.25	20-1.375
WEIGHT	lb	30.42	41.45	49.38	84.22	133.16	155.43	224.87	372.58	473.99	828.94	1018.53	1549.85	1990.77	2469.17
	Kg	13.8	18.8	22.4	38.2	60.4	70.5	102.0	169.0	215.0	376.0	462.0	703.0	903.0	1120.0

© 2018 NCI Canada Inc., Oakville, ON, Canada. All rights reserved. All valves information and its contents hereof are proprietary to NCI Canada Inc. Any unauthorized reproduction or disclosure, in whole or in part is strictly prohibited. All valves materials, images and data sheets in this catalogue / brochure is for general information and shall not be used for specific performance data and material selection without first consulting with NCI Canada Inc. NCI Canada reserves the right to change the enclosed valves information without notice. NCI Canada does not accept any liability or damages arising from the use of any valve information within this document. All trademarks and registered trademarks are owned by their respective companies.