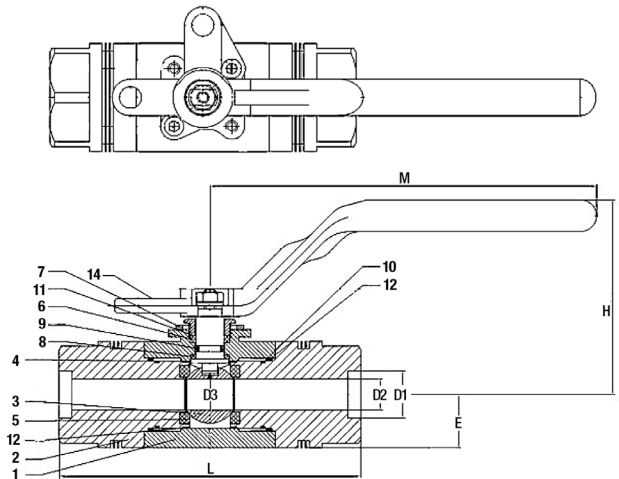


3-PC Threaded Body 3000/6000 PSI Ball Valve

Pressure Rating: 3000 psi for the BT3 and 6000 psi for the BT6



Available in threaded, socket weld and threaded-socket weld.



SPECIFICATIONS AND FEATURES

- Designed to ASME B16.34
- NPT and SW to ASME B16.11
- Tested to API 598
- API 607 Fire-safe
- NACE MR0175
- Available in full port and regular port
- Forged steel body
- Locking lever
- Blow-out proof stem
- Anti-static device
- Mounting device

STANDARD SOUR

No.	Part	Material
1.	Body	A105N
2.	Cap	A105N
3.	Ball	CF8M / 316SS / 17/4 PH
4.	Stem	316SS / A564 Gr. 630 17/4 PH
5.	Seat*	PEEK
6.	Packing Ring	304SS
7.	Gland	Carbon Steel
8.	Thrust Washer	Delrin/PEEK
9.	Packing	Graphite
10.	O-Ring	Viton-B
11.	O-Ring	Viton-B
12.	Gasket	Graphite
13.	Belleville Washer	302SS
14.	Handle	A216 WCB

*NPT valves

LOW TEMP / SOUR

No.	Part	Material
1.	Body	A350 LF2
2.	Cap	A350 LF2
3.	Ball	CF8M / 316SS / 17/4 PH
4.	Stem	316SS / A564 Gr. 630 17/4 PH
5.	Seat*	PEEK
6.	Packing Ring	304SS
7.	Gland	Carbon Steel
8.	Thrust Washer	PEEK
9.	Packing	Graphite
10.	O-Ring	Viton-B
11.	O-Ring	Viton-B
12.	Gasket	Graphite
13.	Belleville Washer	302SS
14.	Handle	A216 WCB

STAINLESS STEEL / SOUR

No.	Part	Material
1.	Body	316SS
2.	Cap	316SS
3.	Ball	CF8M / 316SS / 17/4 PH
4.	Stem	316SS / A564 Gr. 630 17/4 PH
5.	Seat*	PEEK
6.	Packing Ring	304SS
7.	Gland	Carbon Steel
8.	Thrust Washer	PEEK
9.	Packing	Graphite
10.	O-Ring	Viton-B
11.	O-Ring	Viton-B
12.	Gasket	Graphite
13.	Belleville Washer	302SS
14.	Handle	A351 CF8M

Size	Size (mm)	L NPT	L SW	L NPT x SW	E	H	D1	D2	D3	M	Torque (in-lbs)
1/2" FP-BT3	12.7	98	127	113	19	83	21.8	12.7	12.7	160	156
1/2" FP-BT6	12.7	98	127	119	19	83	21.8	12.7	12.7	160	214
3/4" FP	19	108	172	140	24	90	27.8	19	19	160	358
3/4" RP	19	111	172	140	19	83	27.8	19	12.7	160	156
1" FP	25	108	172	152	27	94	48.8	25	25	200	441
1" RP-BT3	25	108	172	140	24	90	48.8	25	19	160	358
1" RP-BT6	25	108	172	152	24	90	48.8	25	19	160	560
1 1/2" FP	38.1	159	217	188	37	122	33.9	38.1	38.1	250	885
1 1/2" RP-BT3	38.1	159	217	188	27	94	33.9	38.1	25	200	441
1 1/2" RP-BT6	38.1	159	217	201	27	94	33.9	38.1	25	200	841
2" FP	50	159	324	241	43	150	61.2	50	50	325	2847
2" RP-BT3	50	159	217	188	37	122	61.2	50	38.1	250	885
2" RP-BT6	50	159	217	201	37	122	61.2	50	38.1	250	1290