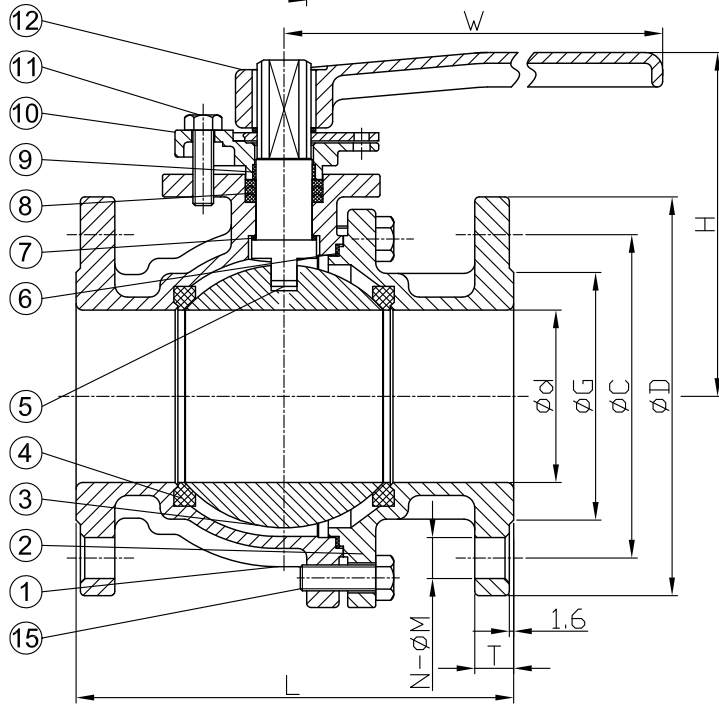
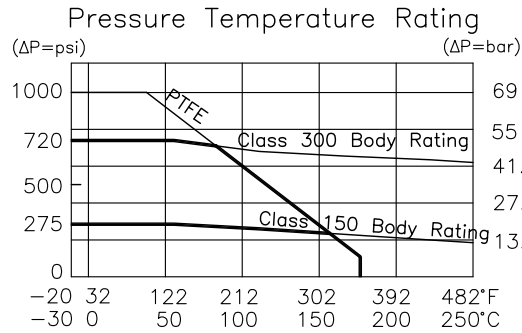
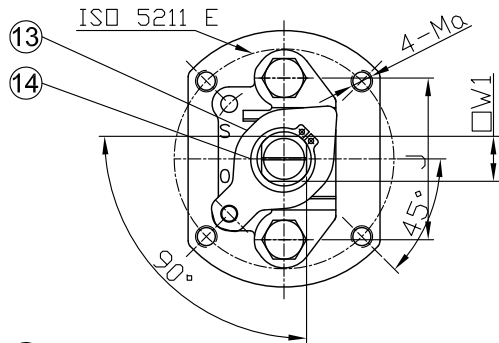


5"-12"



Fire-Safe Design

Anti-static device

SIZE	d	D	C	G	T	N-øM	L	H	W	W1	J	ISO 5211	E	Ma	Torque N-M
1/2"	15	89	60.5	35	11.1	4-ø16	108	92	160	12	50	F04	42	M5	14
3/4"	20	98	70.0	43	11.1	4-ø16	117	98	160	12	50	F04	42	M5	18
1"	25	108	79.5	51	11.1	4-ø16	127	103	160	12	50	F05	50	M6	22
1 1/4"	32	117	89.5	64	12.7	4-ø16	140	107	160	12	50	F05	50	M6	25
1 1/2"	40	127	98.5	73	14.3	4-ø16	165	112	230	17	62	F07	70	M8	29
2"	50	152	120.5	92	15.9	4-ø19	178	122	230	17	62	F07	70	M8	34
2 1/2"	65	178	139.5	105	17.5	4-ø19	190	151	350	21	75	F07	70	M8	50
3"	80	190	152.5	127	19.1	4-ø19	203	161	350	21	75	F10	102	M10	75
4"	100	229	190.5	157	23.9	8-ø19	229	175	350	21	75	F10	102	M10	100
5"	125	254	216.0	186	23.9	8-ø22	356	224	750	24	89	F12	125	M12	170
6"	150	279	241.5	216	25.4	8-ø22	394	247	750	24	89	F12	125	M12	270
8"	200	343	298.5	270	28.6	8-ø22	457	305	1000	32	100	F12	125	M12	380
10"	250	406	362.0	324	30.2	12-ø25	533	327	1000	32	100	F14	140	M16	500
12"	300	483	432.0	381	31.8	12-ø25	610	355	1000	32	100	F14	140	M16	600

TEST PRESSURE PSI(g)	
Shell By Hydrostatic	Seat By Air
450	80

Design Feature :	
End Connections	ASME B16.5
Inspection & Test	API-598
Pressure Rating	Class150
Anti-Blow Out	EN 1983
Anti-Static(Optional)	ISO 7121
Mounting Flange	ISO 5211
Face to face	ASME B16.10

NO.	PART NAME	MATERIALS
1	BODY	CF8M
2	CAP	CF8M
3	BALL	CF8M
4	SEAT	RPTFE
5	STEM	SUS316
6	GASKET	PTFE
7	THRUST WASHER	PEEK + PTFE
8	GLAND PACKING	PTFE
9	STEM BUSHING	PTFE
10	GLAND	CF8
11	GLAND BOLT	B8
12	HANDLE	FCD
13	STOPPER	SUS304
14	SNAP RING	SUS304
15	BOLT	B8



Rev.	Date	Description	Type	CL150	Rev.	B
⊕		(ZF1)228_CL150_CF8M_NPS04-12_133	ZF1			
Checked	Morris	Scale	Fit	Date	2017/06/29	Unit:mm
Drawn	Charles	Describe	Split Body Flanged End Full Bore Ball Valves			