

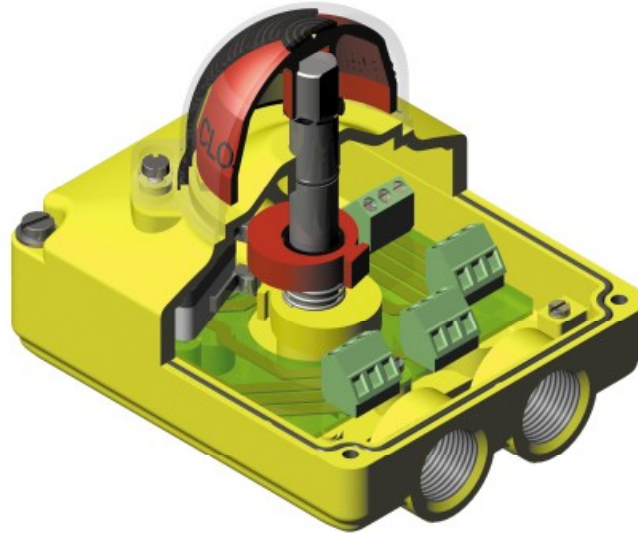
SONIC TORQUE®



LIMIT SWITCH

INTRODUCTION

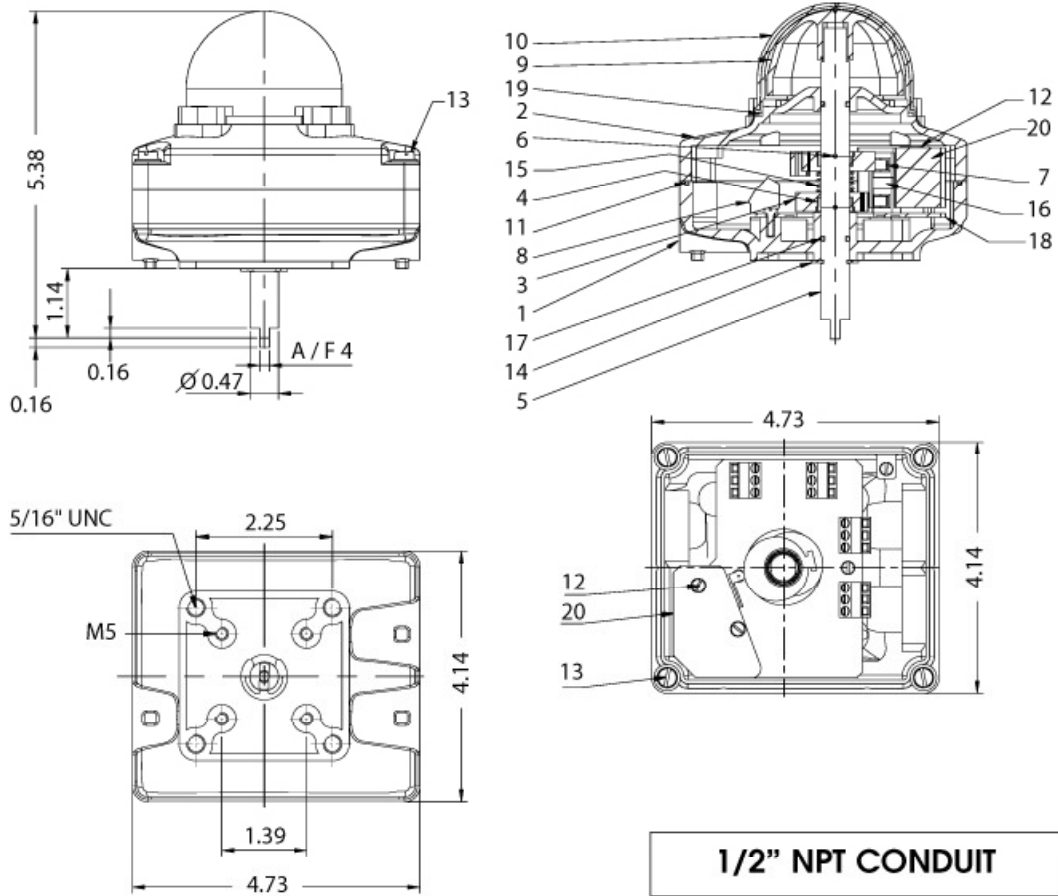
The Sonic Torque SLS series provides a compact design and low cost solution to visual and electrical indication of rotary valve and actuator position



FEATURES:

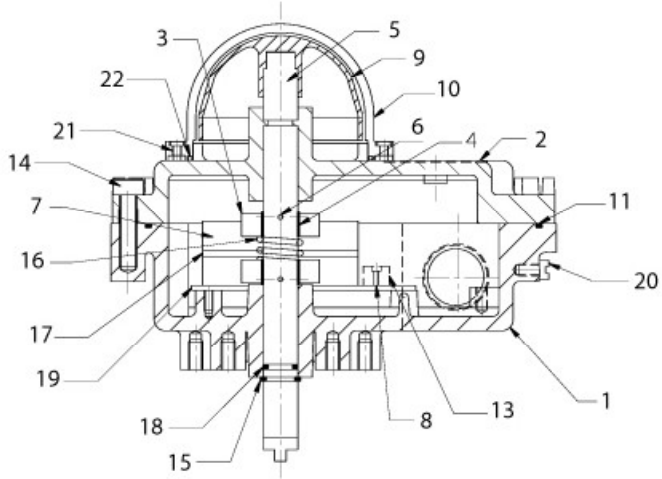
- Die Cast Aluminum housing is Powder coated for superior corrosion resistance
- Housings have captive cover bolts
- Dome is made from Polycarbonate and is shatterproof
- Unique two piece molded indicator helps for long life and flexibility
- Sonic Set cams are serrated to lock together ensuring settings are secured against vibration
- Color coded to ease wiring
- Special Printed Circuit Board eliminates all wiring from the switch element to the terminal. Provides protection against short circuits
- Complies to NAMUR mounting standards
- UL listed, for both NEMA 4 / 4X and NEMA 7 / 9
- NEMA 7/9 Class I Groups C&D, Class II Groups E,F &G Divisions 1 and 2
- Wide range of NAMUR pattern mounting kits
- Temperature range: -20°C to 80°C (176°F)
- Stainless steel brackets are available
- Solenoid termination inside the switch box possible

NEMA 4 and 4X

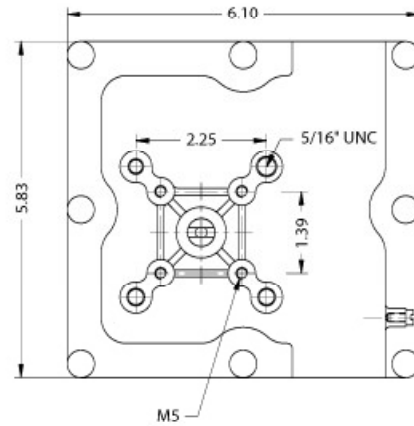
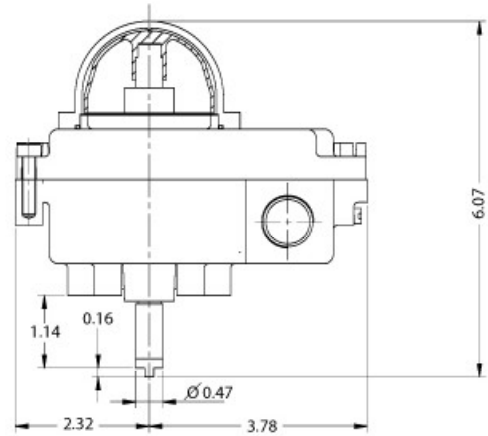


PART NO.	QTY	PART DESCRIPTION	STANDARD MATERIAL
1	1	HOUSING	Aluminum (LM-6)
2	1	COVER	Aluminum (LM-6)
3	2	CAM	Polycarbonate
4	2	CAM-LOCK	Delrin
5	1	SHAFT	Stainless Steel 304
6	2	SPRING DOWEL	Spring Steel
7	2	MICROSWITCH (SPDT)	Honeywell / Cherry
8	4	THREE WAY TERMINAL BLOCK	
9	1	INDICATOR	ABS
10	1	INDICATOR COVER	Polycarbonate
11	1	GASKET	NBR
12	2	MICROSWITCH BOLTS	Stainless Steel 304
13	4	NON FALLING BOLTS	Stainless Steel 304
14	1	"E" TYPE CIRCLIP	Spring Steel
15	1	SPRING	Stainless Steel 302
16	1	PAD	PA6
17	1	O-RING	NBR
18	1	CIRCUIT DIAGRAM	-
19	1	O-RING	NBR
20	1	MICROSWITCH COVER	PA6

NEMA 4, 4X, 7 and 9

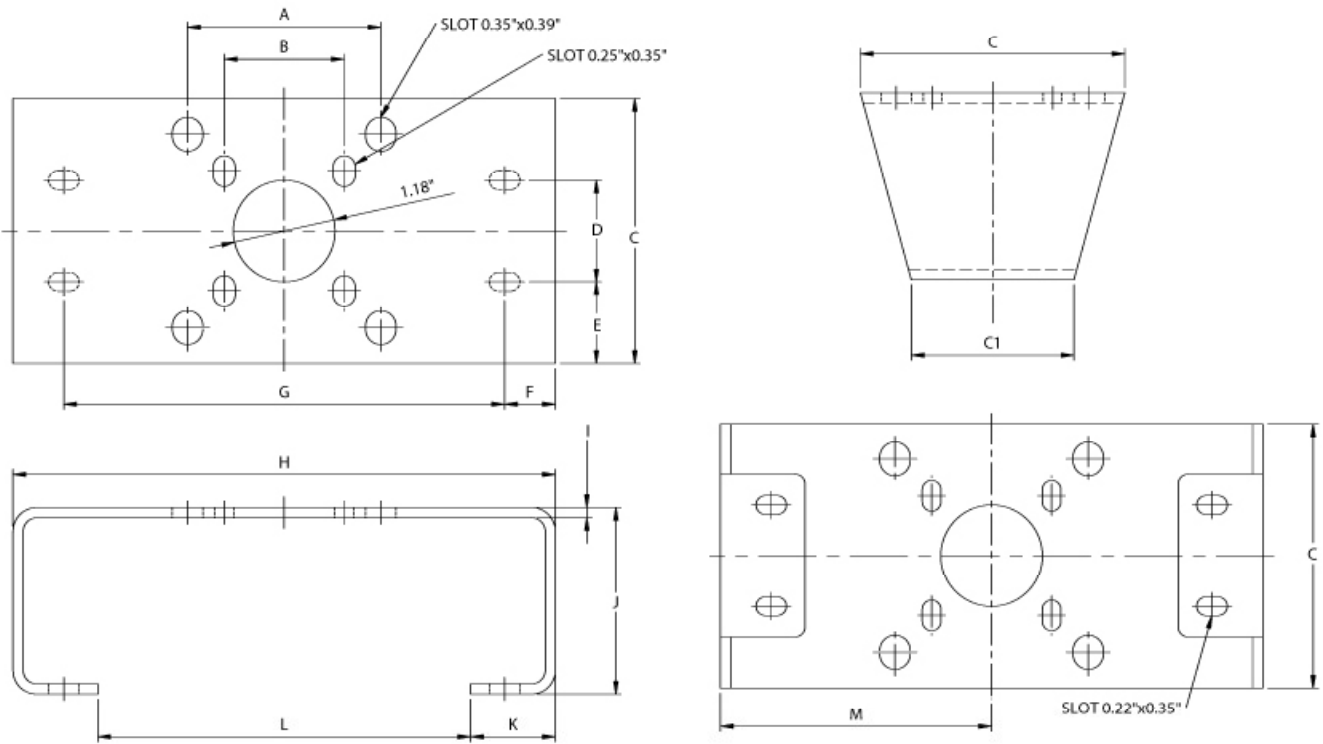


3/4" NPT CONDUIT



PART NO.	QTY	PART DESCRIPTION	STANDARD MATERIAL
1	1	HOUSING	Aluminum (LM-6)
2	1	COVER	Aluminum (LM-6)
3	2	CAM	PA6
4	2	CAM-LOCK	Delrin
5	1	SHAFT	Stainless Steel 304
6	2	SPRING DOWEL	Spring Steel
7	2	MICROSWITCH (SPDT)	Honeywell / Cherry
8	4	CONNECTOR STRIP- 6 WAY	PA6
9	1	INDICATOR	ABS
10	1	INDICATOR COVER	Polycarbonate
11	1	GASKET	NBR
12	2	MICROSWITCH BOLTS	Stainless Steel 304
13	2	CONN. STRIP BOLTS	Stainless Steel 304
14	8	NON FALLING BOLTS	Stainless Steel 304
15	1	"E" TYPE CIRCLIP	Spring Steel
16	1	SPRING	Stainless Steel 302
17	1	PAD	PA6
18	1	O-RING	NBR
19	1	PCB	-
20	2	EARTHING BOLTS	Stainless Steel 304
21	4	PHILIPS HEAD BOLTS	Stainless Steel 304
22	1	O-RING	NBR

BRACKET DIMENSIONS



CODE	A	B	C	C1	D	E	F	G	H	I	J	K	L	M
M1	2.24	1.39	3.07	1.90	1.18	0.94	0.59	3.15	4.33	0.12	1.77	0.98	2.36	2.17
M2	2.24	1.39	3.07	1.90	1.18	0.94	0.59	3.15	4.33	0.12	2.17	0.98	2.36	2.17
M3	2.24	1.39	3.07	1.90	1.18	0.94	0.59	5.12	6.30	0.12	2.17	0.98	4.33	3.15
M4	2.24	1.39	3.07	1.90	1.18	0.94	0.59	5.12	6.30	0.12	2.96	0.98	4.33	3.15

WIRING DIAGRAM NEMA 4, 4X, 7 AND 9

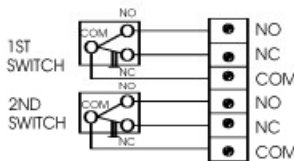


MECHANICAL SWITCHES

SWITCH (BOTTOM) USE YELLOW CAM FOR VALVE OPEN CONDITION

SWITCH (TOP) USE RED CAM FOR VALVE CLOSE CONDITION

BOTTOM ON WARDS

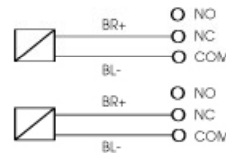


TOP ON WARDS

PROXIMITY SWITCHES

SWITCH (BOTTOM) USE YELLOW CAM FOR VALVE OPEN CONDITION

SWITCH (TOP) USE RED CAM FOR VALVE CLOSE CONDITION



SONIC TORQUE®



HOW TO ORDER

MODEL	RATING	BRACKET
SL	XS4MH10 = NEMA 4 MECHANICAL	M1
	S9MH10 = NEMA 7/9 MECHANICAL	M2
	XS4PPF8 = NEMA 4 PROXIMITY	M3
	S9PPF2 = NEMA 7/9 PROXIMITY	M4

SLS

XS4MH10

M1



A Division of Smith-Cooper International, LLC

(708) 409-4150

Fax: (708) 409-4151

Email: info@sonictorque.com

www.sonictorque.com

1260 Garnet Drive

Northlake, Illinois 60164 U.S.A.